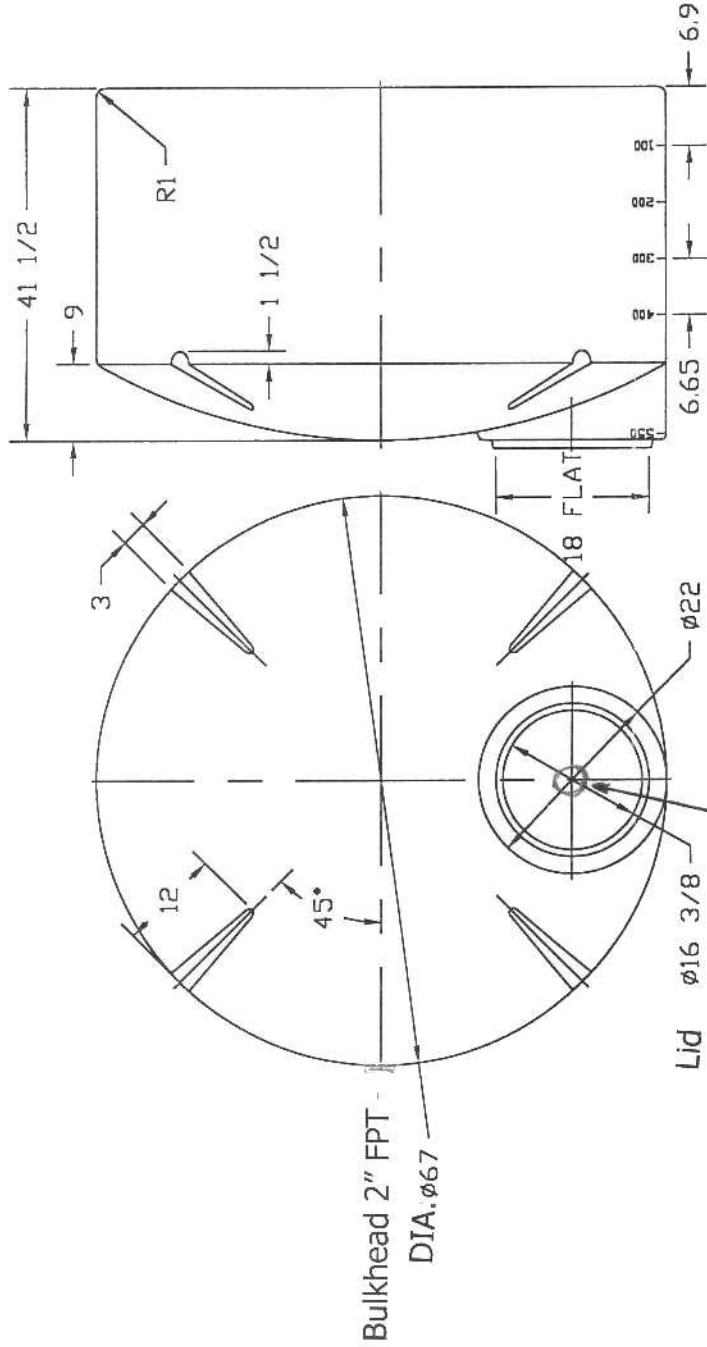


458 Imp. Gal.
2,082 Liters
100 lbs

REVISIONS			
ZONE	REV	DESCRIPTION	DATE
	B	REDRAWN	02JAN97
			APPROVED



Twin Maple Industrial Tanks
32351 Huntingdon Road
Abbotsford, B.C., V2T 5Y8
(604) 854 6776 Fax: (604) 854 3223
Toll Free: 1-866-255-8265

40023 - Premium White
40703 - Black Water Only

Twin Maple Industrial Tanks	
550 GALLON VERTICAL TANK	
SIZE	FSCM NO.
B	
REV	DWG NO.
B	40023
JTP	02JAN97