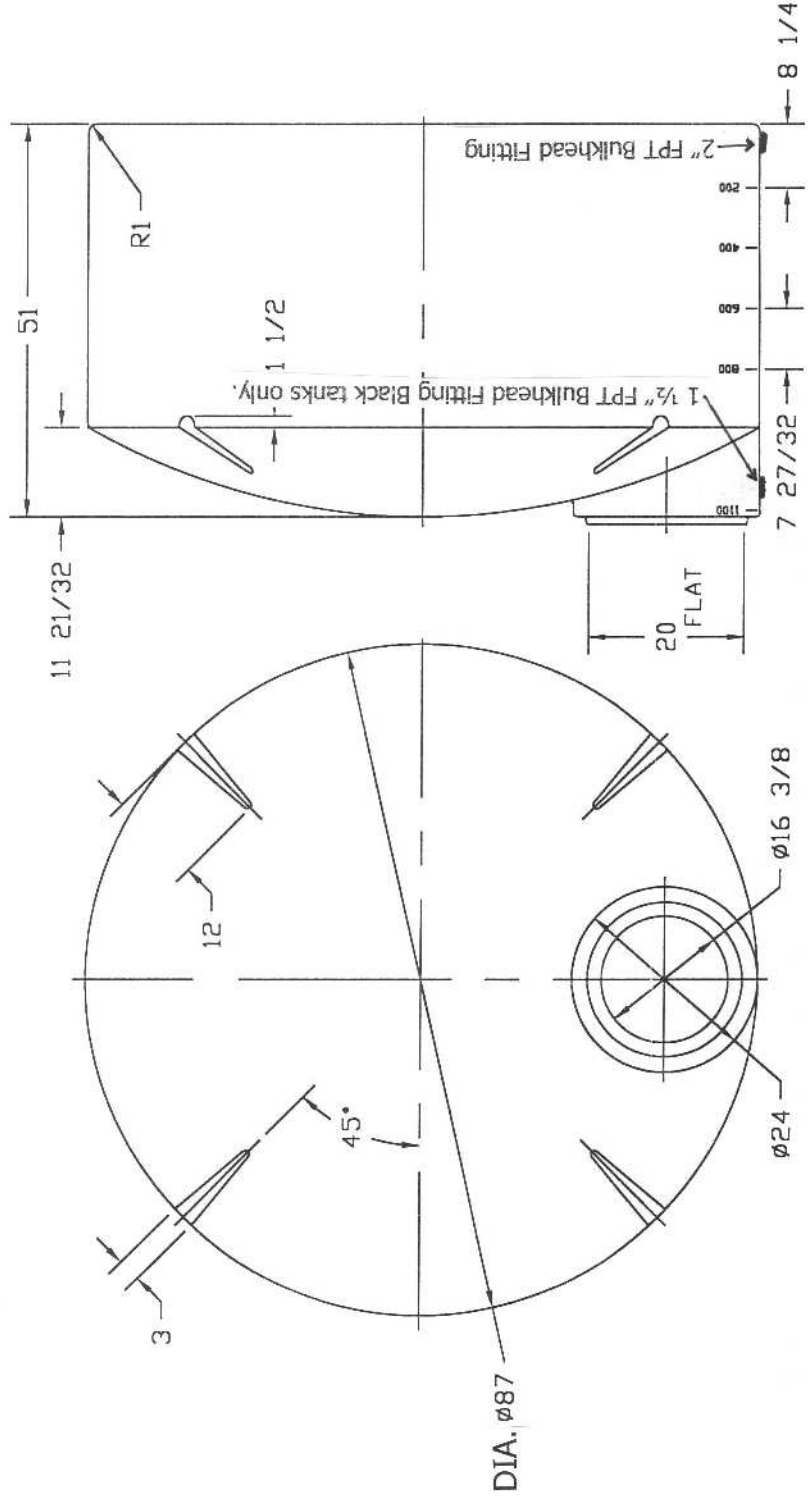


916 Imp. Gal.
 4,164 Liters
 180 lbs



Twin Maple Industrial Tanks
 32351 Huntingdon Road
 Abbotsford, B.C., V2T 5Y8
 (604) 854 6776 Fax: (604) 854 3223
 1(800)663 8898

40070 – Premium White
40081 – Heavy Duty Light Blue
40704 – Black Water Only

Twin Maple Industrial Tanks
 1100 GALLON VERTICAL
 TANK
 SCALE 1/16
 SIZE B
 FSCM NO.
 DWG NO. 40070
 REV C
 WHITE