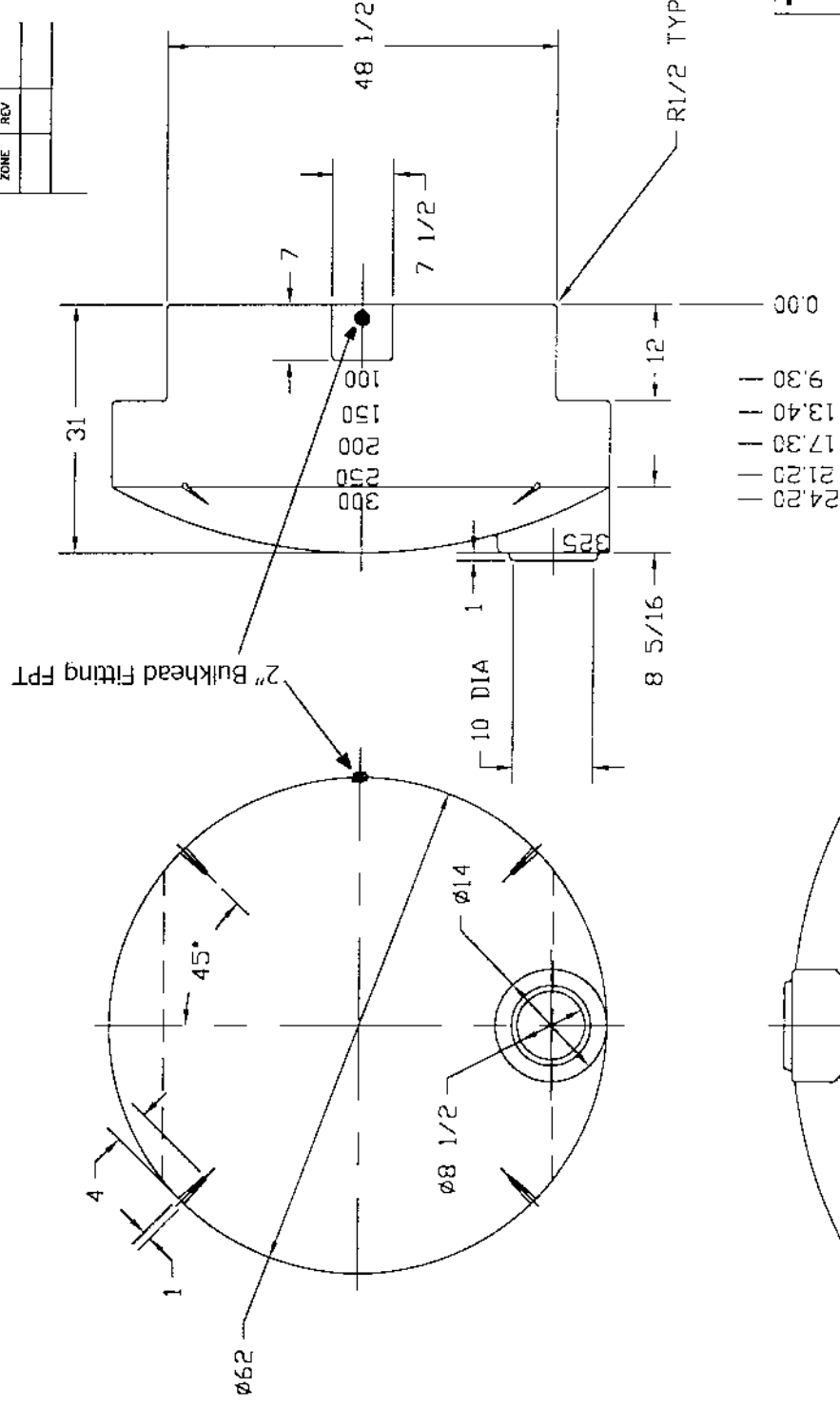


271 Imp. Gal./1230 Liters
82 lbs

| ZONE | REV |
|------|-----|
| | |
| | |



Twin Maple Industrial Tanks
32351 Huntingdon Road
Abbotsford, B.C., V2T 5Y8
(604) 854 6776 Fax: (604) 854 3223
Toll Free: 1-866-255-8265

325 GALLON
PICKUP TANK

| | | | |
|------|----------|------------|-------|
| JTP | 9FEB96 | SCALE 1/16 | SHEET |
| SIZE | FSCM NO. | DWG NO. | REV |
| B | | 40160 | |