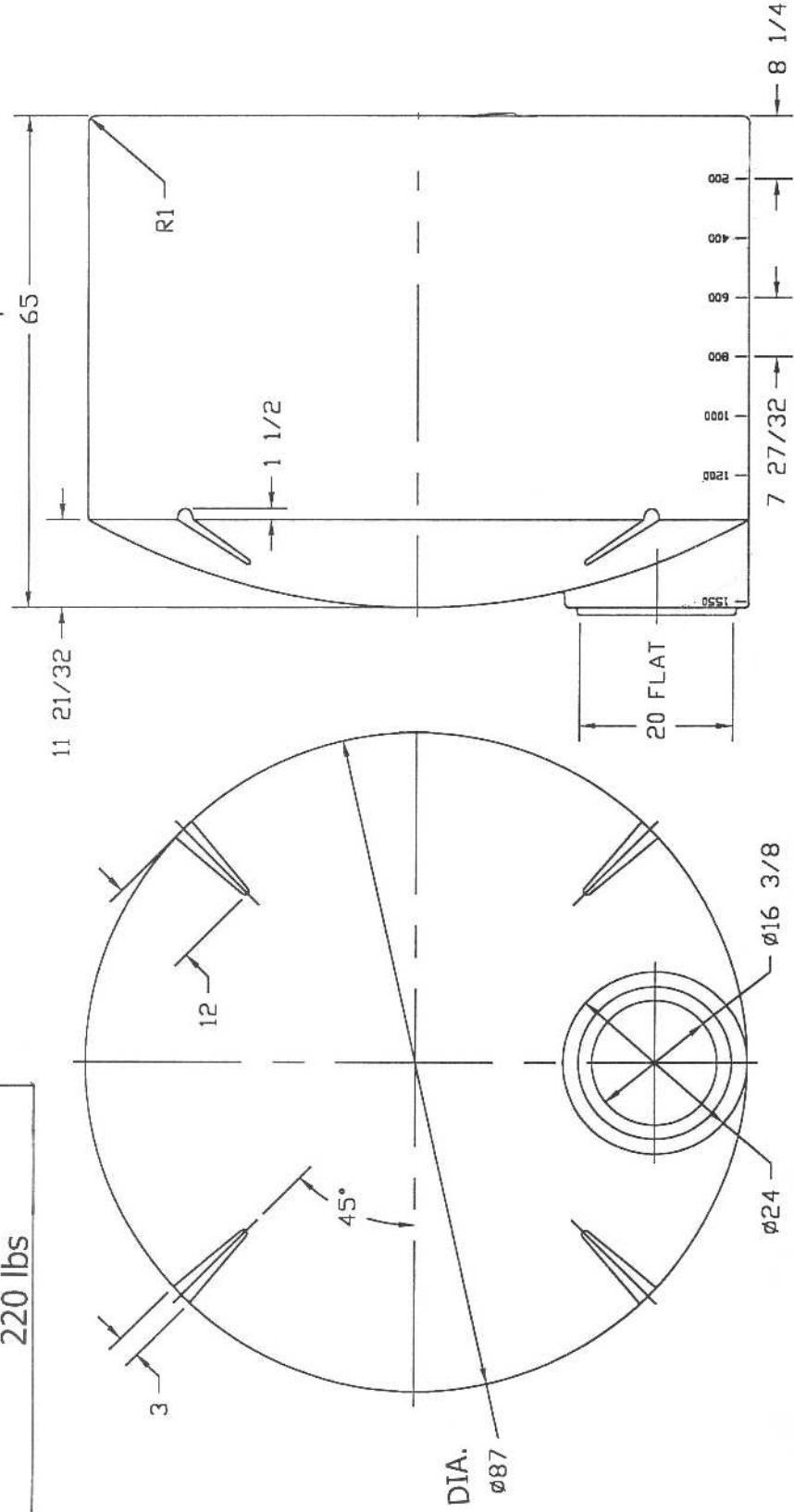


1,291 Imp. Gal.
5,867 Liters
220 lbs

REVISIONS

ZONE	REV	DESCRIPTION	DATE	APPROVED
	A	REDRAWN	02 JAN 97	



40235 – Premium White
40236 – Heavy Duty Light Blue
40627 – Black Water Only

32351 Huntingdon Road
 Abbotsford, B.C., V2T 5Y8
 (604) 854 6776 Fax: (604) 854 3223
 1(800)663 8898

Twin Maple Industrial Tanks
 1550 GALLON VERTICAL
 TANK

REV	DATE	DWG NO.	REV
A	02 JAN 97	40235	A