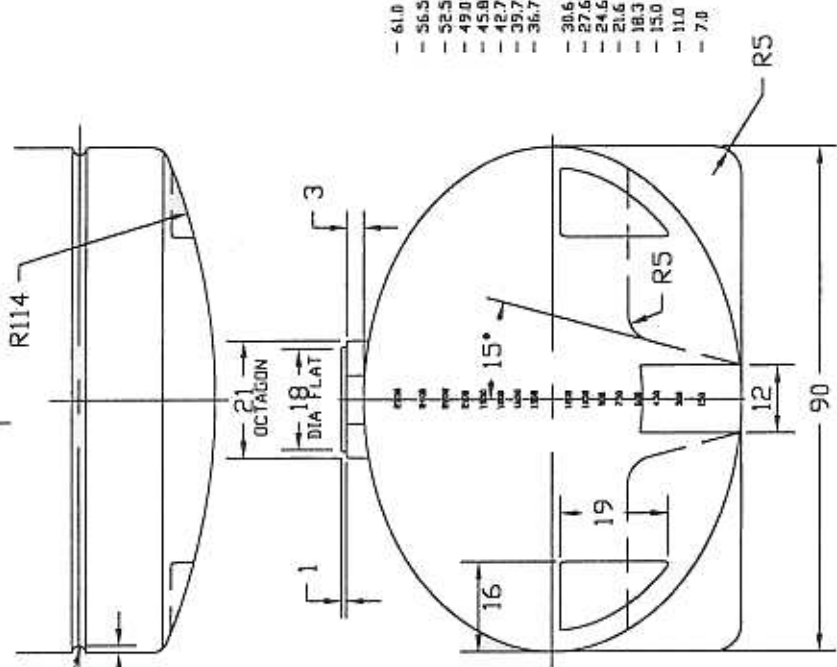


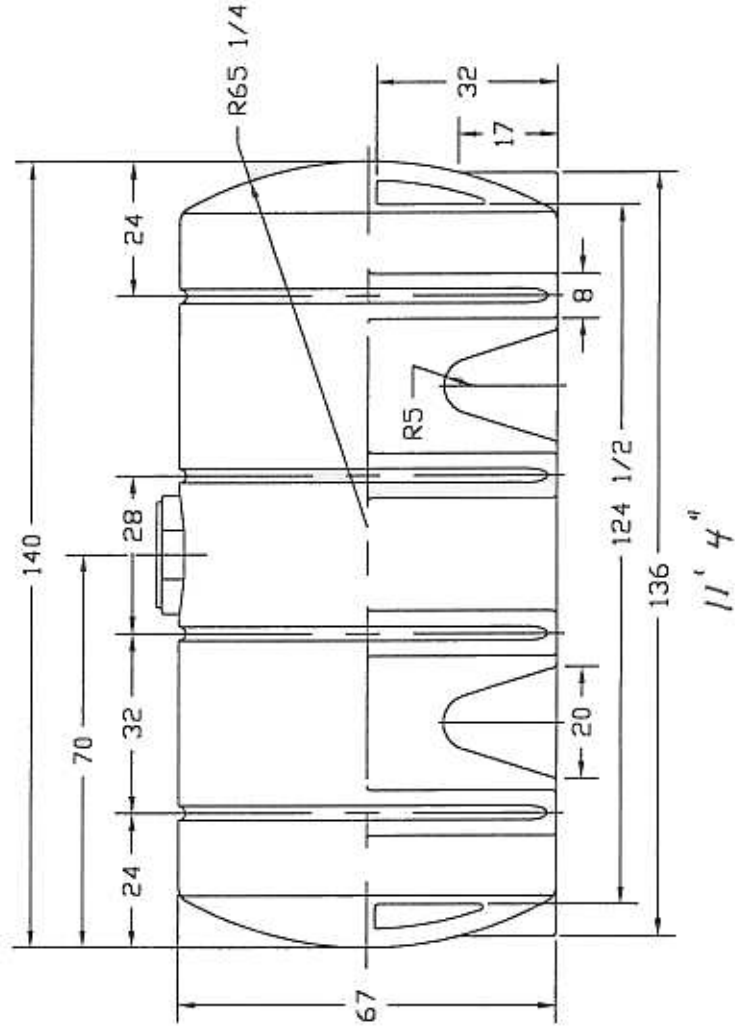
2195 Imp. Gal. / 9973 Liters
 1000 lbs / 140" x 90" x 71"

REVISIONS

ZONE	REV	DESCRIPTION	DATE	APPROVED
	B	REDRAWN, SPRGR REV'D	22OCT97	



- 61.0
- 56.5
- 52.5
- 49.0
- 45.8
- 42.7
- 39.7
- 36.7
- 30.6
- 27.6
- 24.6
- 21.6
- 18.3
- 15.0
- 11.0
- 7.0



Twin Maple Industrial Tanks	
2635 GALLON ELLIPTICAL HORIZONTAL LEG TANK	
JTP 22OCT97	SCALE 1/4"
SIZE B	DWG NO. 40547
REV B	40283 H/D

32351 Huntington Road
 Abbotsford, B.C., V2T 5Y8
 (604) 854 6776 Fax: (604) 854 3223
 1(800)663 8898