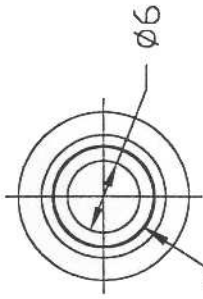
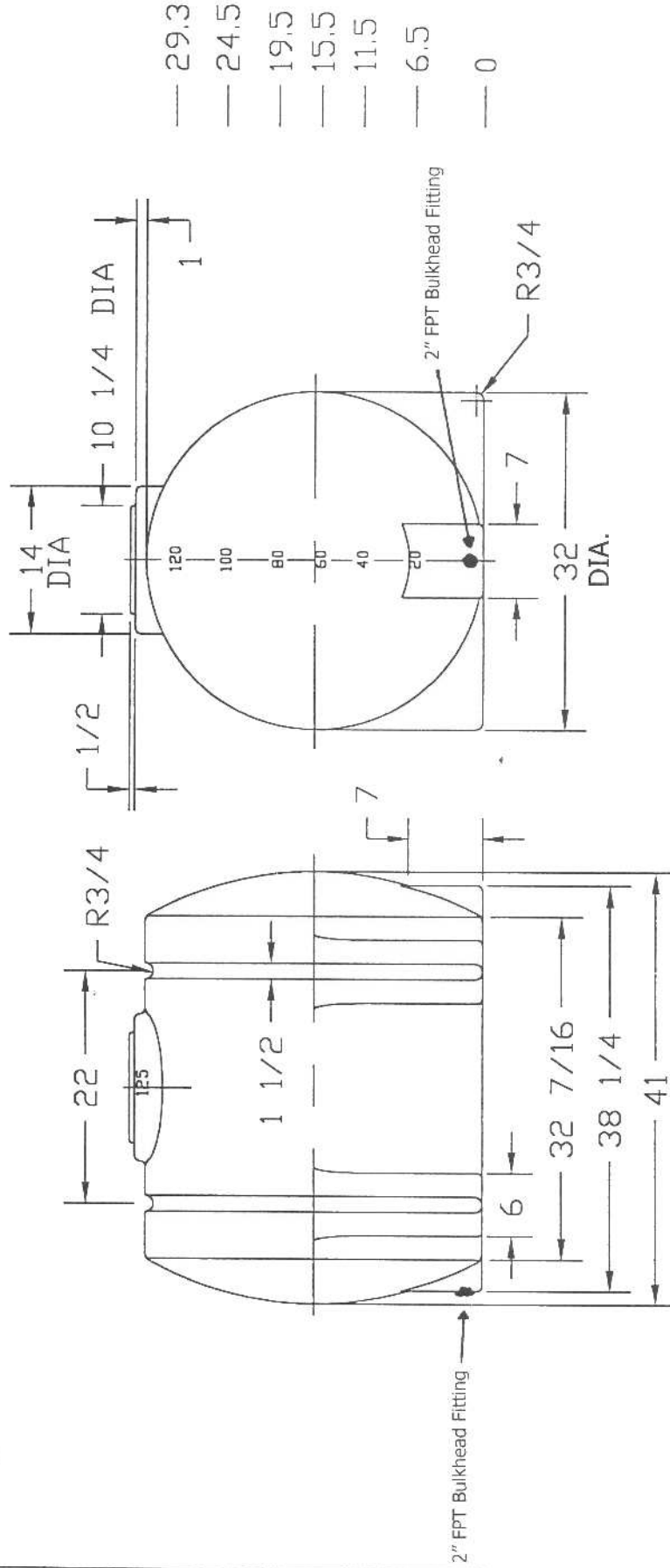


104 Imp. Gal 473 Liters  
 50 lbs  
 41" x 32" x 36"



8 1/4 ACME THD,  
 RH, FOR 60002 LID



- 29.3
- 24.5
- 19.5
- 15.5
- 11.5
- 6.5
- 0

Twin Maple Industrial Tanks

GALLON MARKS BOTH ENDS  
**Twin Maple Industrial Tanks**  
 32351 Huntingdon Road  
 Abbotsford, B.C., V2T 5Y8  
 (604) 854 6776 Fax: (604) 854 3223  
 1 (800) 663 8898

125 GALLON HORIZONTAL  
 LEG TANK

JTP	14AUG97	SIZE	FSCM NO.	DWG NO.	REV
		A		40298	A
SCALE 1/16				SHEET	