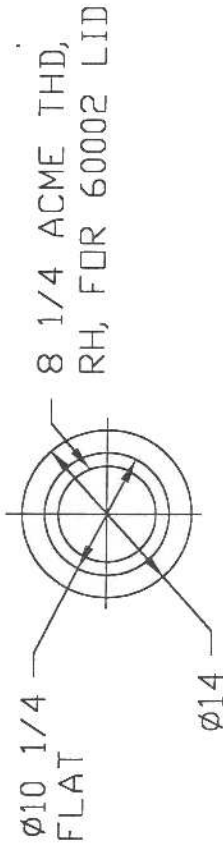
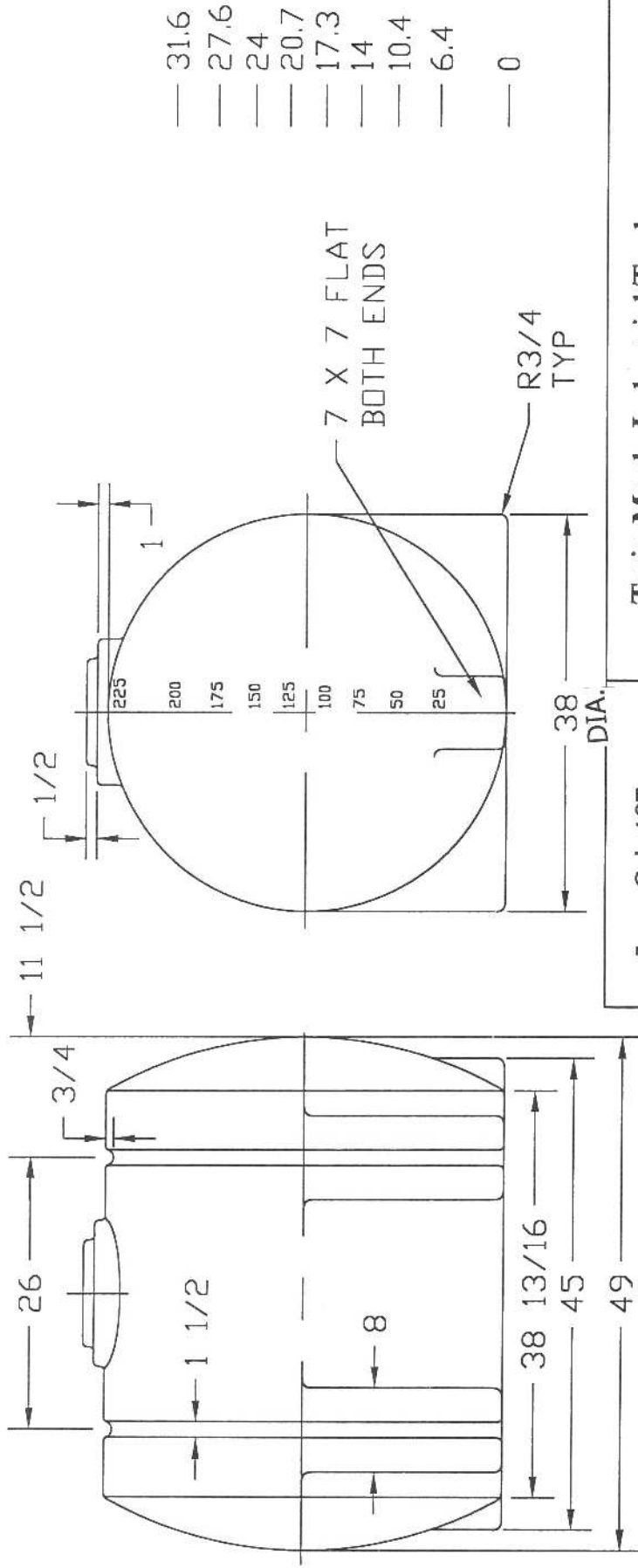


187 Imp. Gal. 852 Liters  
 70 lbs  
 49" x 38" x 40"



NOTE: GALLONAGE MARKS  
 ON BOTH ENDS



Imp. Gal. 187

Weight: 70 lbs

Twin Maple Industrial Tanks

225 GALLON HORIZONTAL  
 LEG TANK

JTP 07MAR96

SIZE A  
 FSCM NO.

DWG NO.

40299

REV

SCALE 1/16

SHEET

**Twin Maple Industrial Tanks**

32351 Huntingdon Road  
 Abbotsford, B.C., V2T 5Y8  
 (604) 854 6776 Fax: (604) 854 3223  
 1(800)663 8898