

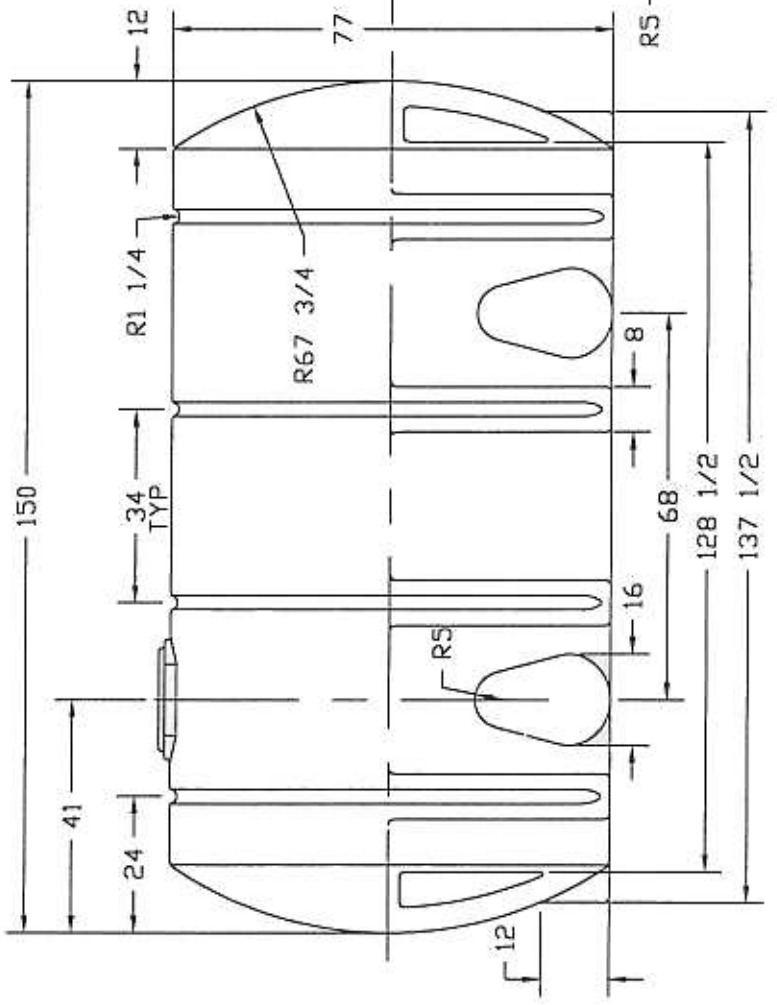
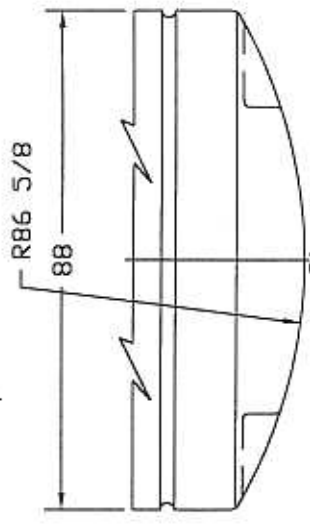
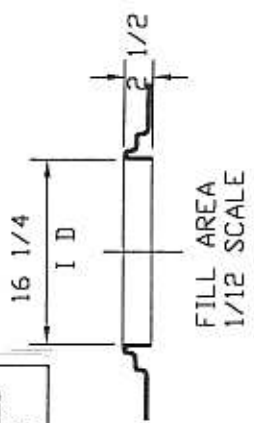
2611 Imp. Gal. / 11,866 Liters  
 1300 lbs / 151" x 88" x 76"

**Twin Maple Industrial Tanks**  
 32351 Huntingdon Road  
 Abbottsford, B.C., V2T 5Y8  
 (604) 854 6776 Fax: (604) 854 3223  
 Toll Free: 1-866-255-8265

REVISIONS		
ZONE	REV	DESCRIPTION

DATE

APPROVED



NOTE:

GALLON MARKERS  
 ON OPPOSITE END  
 ONLY

- 65 13/16
- 53 29/32
- 44 3/32
- 34 13/16
- 25 13/32
- 15 3/32
- 0

Twin Maple Industrial Tanks	
3135 GALLON ELLIPTICAL LEG TANK	
SIZE / FORM NO.	40686
REV	
SCALE	1/24
40688 H/D	