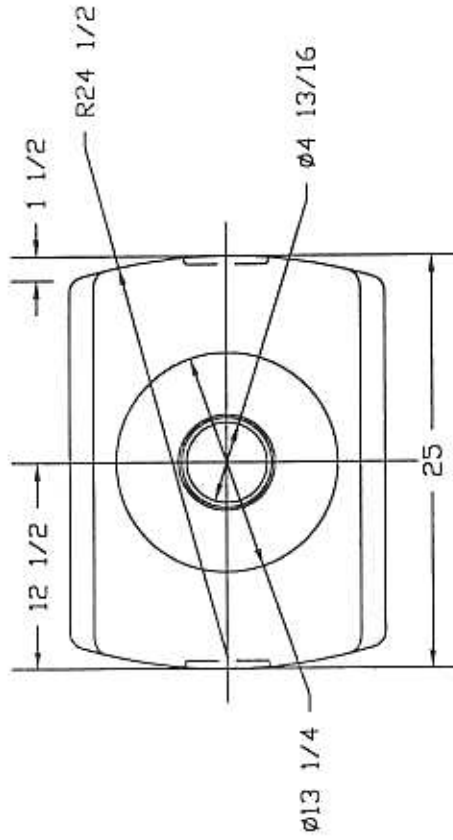
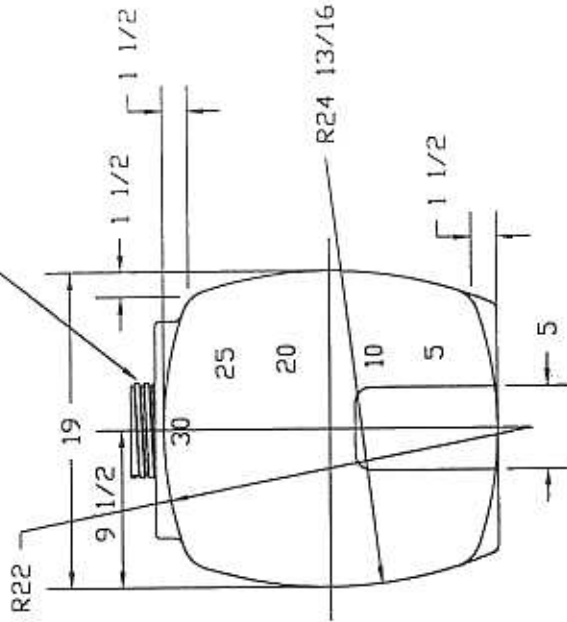


DATE	APPROVED

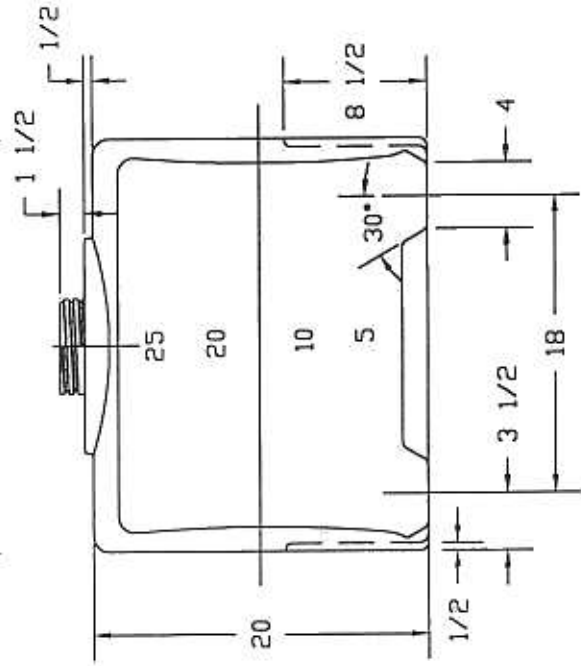
30 US Gal. / 25 Imp. Gal.
114 Liters / 15 lbs



5 3/4 OD THREAD
9/16 PITCH
5 3/8 MINOR DIA



- 19 —
- 16 3/8 —
- 12 5/8 —
- 7 3/8 —
- 3 5/8 —
- 0 —



Twin Maple Industrial Tanks
32351 Huntingdon Road
Abbotsford, B.C., V2T 5Y8
(604) 854 6776 Fax: (604) 854 3223
Toll Free: 1-866-255-8265

30 GALLON PCO TANK

SIZE	FSM NO.	DWG NO.	REV
B		41254	
SCALE 1/8			SHEET