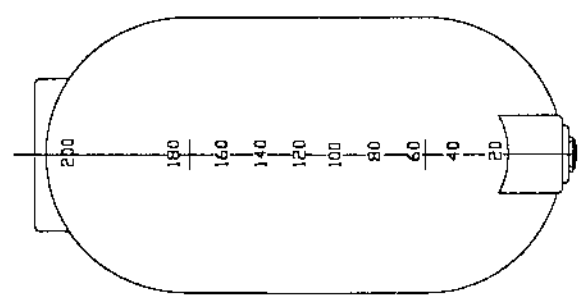
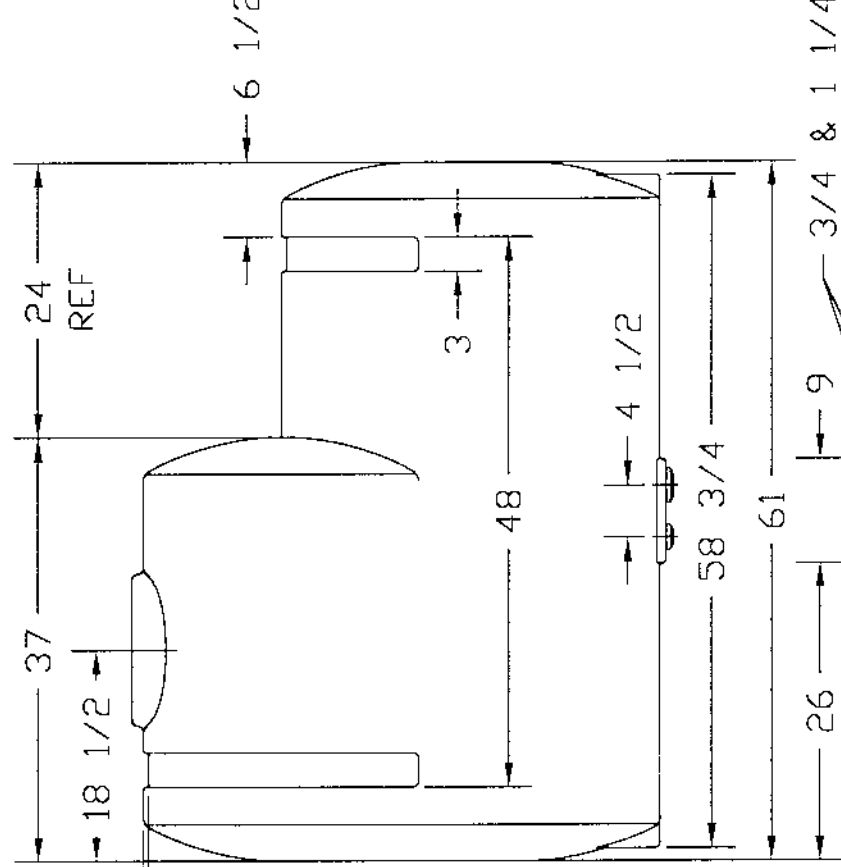
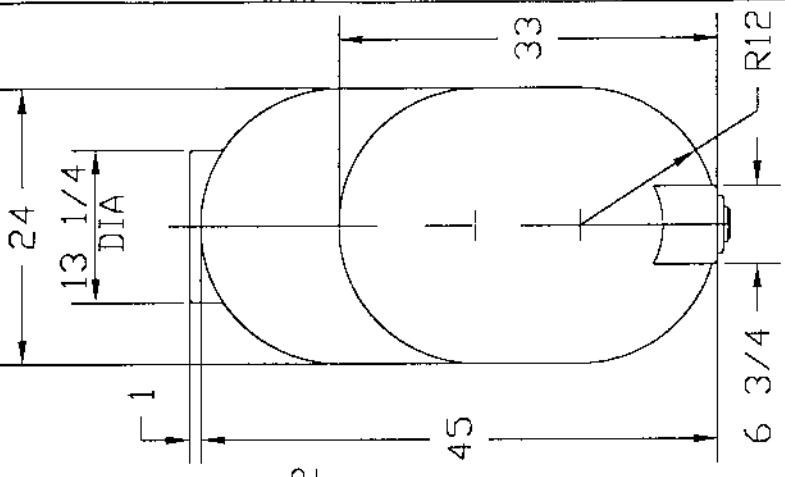
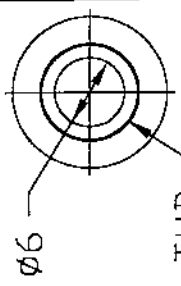


REVISIONS

ZONE	REV	DESCRIPTION	DATE	APPROVED
	B	REDRAWN	23SEP97	



- 34
- 29 3/4
- 26 3/8
- 23
- 19 7/8
- 16 7/16
- 13
- 9 5/8
- 5 7/8
- 0

200 GALLON X 24  
SLIMLINE APPLICATOR TANK

JTP	23SEP97	SIZE A	FSCM NO.	DWG NO. 41305	REV
				SCALE 1/16	SHEET

**Twin Maple Industrial Tanks**  
 32351 Huntingdon Road  
 Abbotsford, B.C., V2T 5Y8  
 (604) 854 6776 Fax: (604) 854 3223  
 Toll Free: 1-866-255-8265