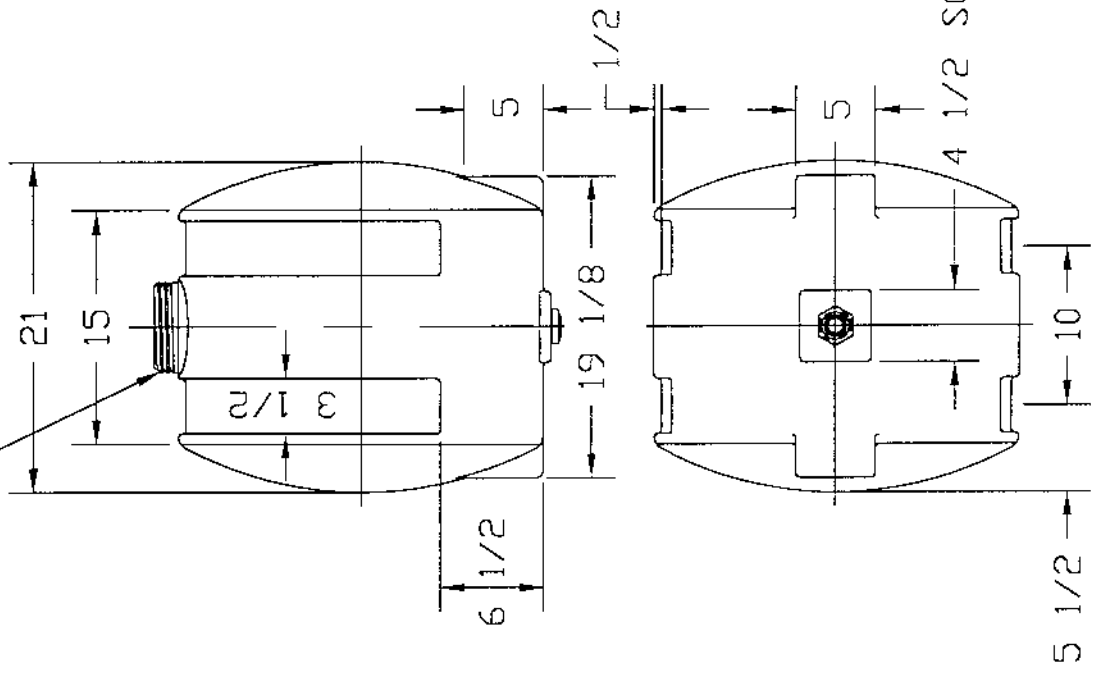
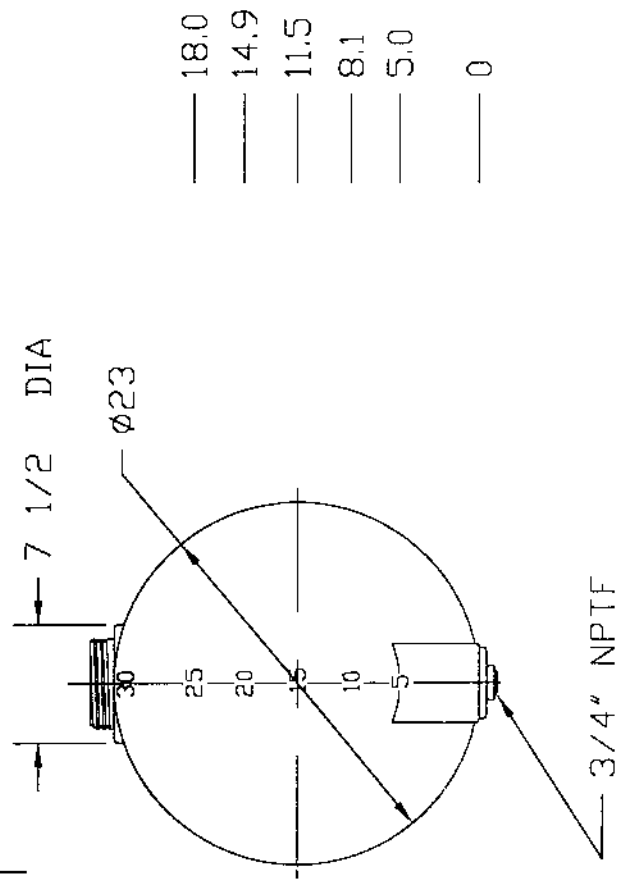


5 3/4" - 2 1/2 BUTTRESS THD



REVISIONS

ZONE	REV	DESCRIPTION	DATE	APPROVED
	A	REDRAWN	25AUG97	



25 Imp. Gal / 114 Liters
15 lbs / 23" x 22"

Twin Maple Industrial Tanks

30 GALLON APPLICATOR
TANK

JTP	25AUG97	SIZE	FSCM NO.	DWG NO.	REV
		A		41799	A
				SCALE	SHEET
				1 / 12	

32351 Huntingdon Road
Abbotsford, B.C., V2T 5Y8
(604) 854 6776 Fax: (604) 854 3223
1 (800) 663 8898