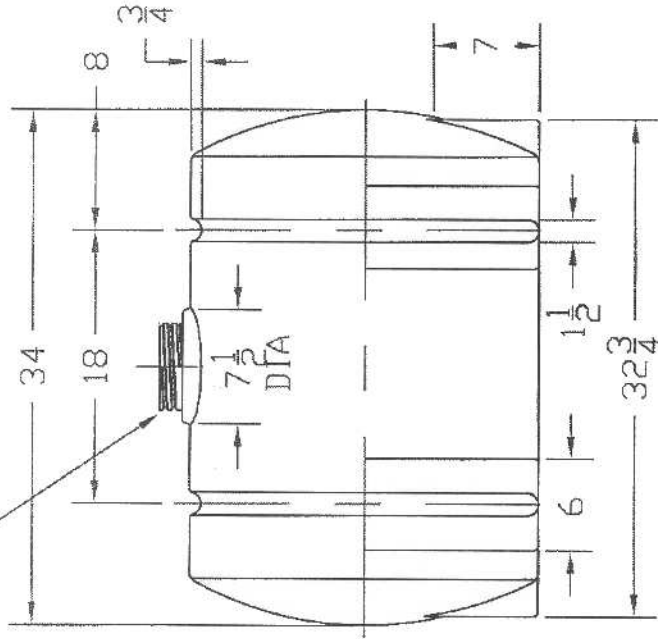
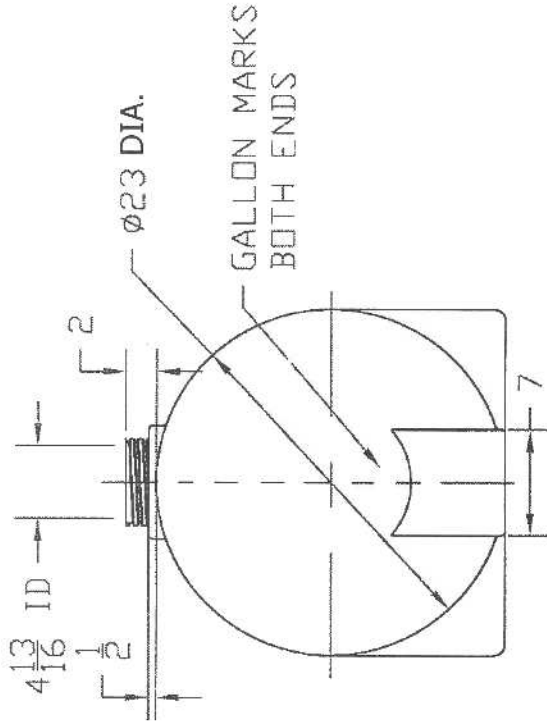


ACME THREAD
 5-3/4 MAJOR DIA
 5-3/8 MINOR DIA
 9/16 PITCH



46 Imperial Gal.
 208 Liters
 23 lbs



REVISIONS

ZONE	REV	DESCRIPTION	DATE	APPROVED

Twin Maple Industrial Tanks
 32351 Huntingdon Road
 Abbotsford, B.C., V2T 5Y8
 (604) 854 6776 Fax: (604) 854 3223
 Toll Free: 1-866-255-8265

55 GALLON HORIZONTAL
 TANK

JTP	25AUG03	SIZE	FSCM NO.	DWG NO.	41873	REV
		A				
		SCALE	1/12			SHEET