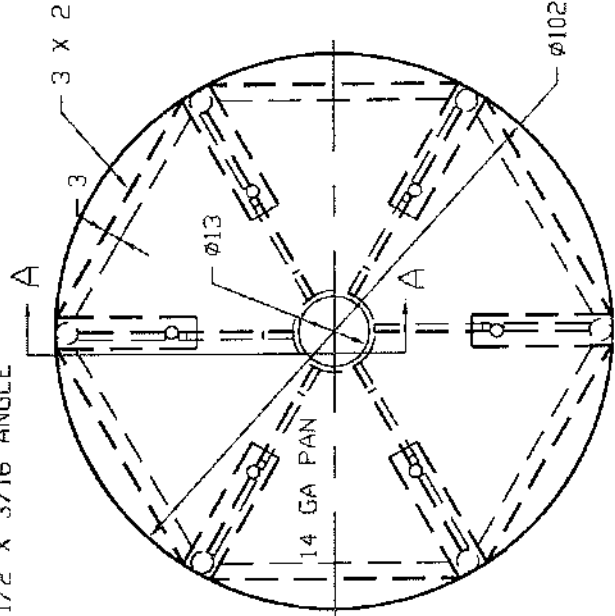
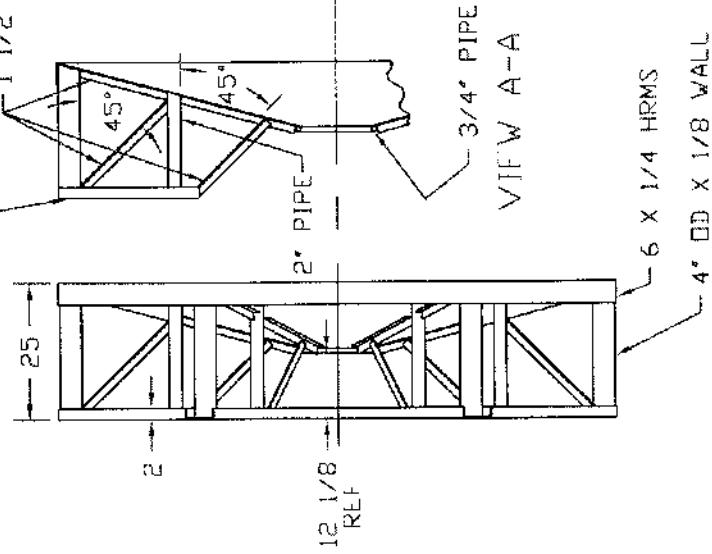


REVISIONS				
ZONE	REV	DESCRIPTION	DATE	APPROVED

6 X 8.2 # CHANNEL X 25 1/2 LONG
LEGS UP--SIX PLACES

1 1/2 X 1 1/2 X 3/16 ANGLE

3 X 2 X 1/4 ANGLE



Twin Maple Industrial Tanks
32351 Huntingdon Road
Abbotsford, B.C., V2T 5Y8
(604) 854 6776 Fax: (604) 854 3223
Toll Free: 1-866-255-8265

STEEL STAND, 6000 GAL
CONE BOTTOM TANK

JTP	09NOV99	SIZE	FSC# NO.	DRG NO.	REV
		B		62473	
SCALE 1/24					SHEET